



Intended Application

It is anticipated that individuals contaminated as a result of industrial accidents or terrorist attacks may bypass the traditional emergency medical services (EMS) and self-present at a health care facility for treatment. These individuals present multiple risks including: exposure of the healthcare workers that are providing care and treatment to the patient, exposure of other patients at the hospital, contamination of the healthcare facility itself, spreading the contamination away from the point of origin, and the financial risk in terms of the potential liability for the healthcare facility. For these reasons, it is important that there be a practical and effective system in place to decontaminate patients prior to treatment while protecting the healthcare workers.

Healthcare workers performing this decontamination require, among other things, proper and practical respiratory protective equipment. The Bullard PA30 Series Powered Air-Purifying Respirator (PAPR) can meet this requirement. The traditional regulatory process of compliance with federally sanctioned performance standards and certification testing to those standards by NIOSH is not presently in place for the chemical warfare agents that may be present in such an incident. The respirator assembly in this manual, while it will provide this protection, is not NIOSH approved, as again, these standards are not yet in place.

Bullard PA30 Respiratory Systems provide filtered air through the powered air-purifying blower and canister. The flow of air is delivered to the respirator wearer through a patented air delivery system. PA30 Series respirators offer protection from airborne contaminants that are not immediately dangerous to life or health (IDLH).

Bullard hoods will accommodate limited facial hair and eyewear without compromising the level of protection.

The hood covers are held in place by snap-in replaceable suspensions. Breathing air is supplied from a breathing tube connected to the back of the hood.

PA3BU blower units are available with the PA3NBC canister designed for protection against various toxic industrial chemicals and chemical warfare agents. Refer to the PA3H Blower Assembly User Manual for further information.

For technical assistance, contact Bullard Technical Support at 877-BULLARD (285-5273) or 859-234-6616.

⚠ WARNING

Read all instructions and warnings before using these respirators. Save this manual for future reference. Failure to follow these instructions could result in death or serious injury.

Table of Contents

| | | | |
|---------------------------------------|--------|--|----|
| Component Concept - PA30 | 3 | PA30 Series Hood Use | |
| Warnings | 2, 4-5 | Donning | 8 |
| Operations | | Removing | 8 |
| Protection | 5 | Inspection, Cleaning and Storage | |
| PA30 Series Hood Assembly | | Hood and Headband | 9 |
| Adjusting and Installing Headband | | Hard Hat | 10 |
| in Respirator Hood | 6 | Breathing Tube | 10 |
| Adjusting and Installing Hard Hat | | Storage | 10 |
| in Respirator Hood | 7 | Parts and Accessories for PA30 Series Respirators | 11 |
| Installing Breathing Tube Assembly in | | Return Authorizations | 12 |
| Respirator Hood | 8 | | |

 **WARNING**

Failure to heed these warnings could result in death or serious injury.

1. Not for use in atmospheres immediately dangerous to life and health or where hazards have not been reasonably estimated and anticipated.
2. This hood, as part of the complete respirator, provides respiratory protection against inhalation of radiological and nuclear dust particles. Procedures for monitoring radiation exposure and full radiation protection must be followed.
3. If during use an unexpected hazard is encountered such as a secondary CBRN device, pockets of entrapped hazard or any unforeseen hazard, immediately leave the area for clean air.
4. Use in conjunction with personal protective ensembles that provide appropriate levels of protection against dermal hazard. Failure to do so may result in personal injury even when the respirator is properly fitted, used, and maintained.
5. Some CBRN agents may not present immediate effects from exposure, but can result in delayed impairment, illness or death.
6. Direct contact with CBRN agents requires proper handling of the respirator after each use and between multiple entries during the same use. Decontamination and disposal procedures must be followed. If contaminated with liquid chemical warfare agents, dispose the respirator after decontamination.

Component Concept

PA30 Powered Air-Purifying Respirators

Bullard PA30 Series powered air purifying respirators consist of four components (Figure 1).

① Respirator Hood:

20SICV Tychem SL hood with taped and sealed seams and press polished vinyl lens, with inner bib, long outer bib, and headband suspension

20SICVH* Tychem SL hood with taped and sealed seams and press polished vinyl lens, with inner bib and long outer bib for use with head protection

*Requires one of the following Bullard hard hat models: 3000WHT, 3000RWHT, 5100WHT or 5100RWHT.



NOTE

Optional accessories include: 20RT ratchet headband, 20NC or ES42 chin strap.

② Headband Suspension or Head Protection:

Hard hat models 3000, 3000R, 5100 or 5100R or suspension models 20TG and 20RT.

③ Blower Assembly:

PA3H blower assembly includes:

- PA3BU Blower Unit
- PA1DB Vinyl Decon Belt Assembly
- PA1AFI Air Flow Indicator
- User Manual



NOTE

Breathing tube, PA3BP Battery packs, and chargers sold separately.

④ Canisters:

See PA3H Blower Assembly User Manual for complete information on the PA3NBC canister.

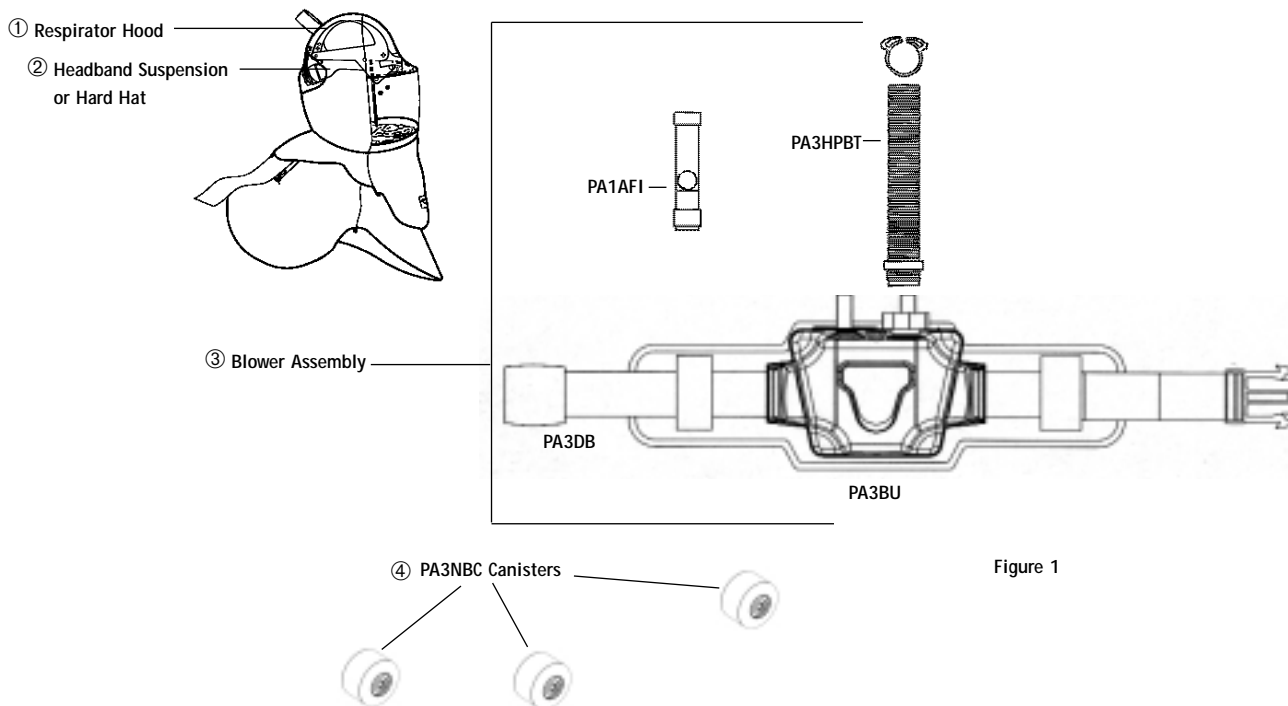


Figure 1

▲ WARNING

Failure to heed these warnings could result in death or serious injury.

1. Improper respirator use could result in death or serious injury. Improper use may also cause certain life-threatening delayed lung diseases such as silicosis, pneumoconiosis or asbestosis.
2. This respirator, when properly fitted and used, significantly reduces, but does not completely eliminate, the breathing of contaminants by the respirator wearer. Where excessive airborne contaminant levels are found, you may obtain better respiratory protection from other types of respiratory protection equipment such as a valve-operated pressure-demand airline respirator or a pressure-demand self-contained breathing apparatus respirator.
3. Regulations require that the employer provide training to the user on the proper use, maintenance and limitations of this equipment. Each person using this respirator must first read and understand this entire instruction manual. The PA30 Series respirators should only be used in accordance with these operating and maintenance instructions. If you have any questions concerning the use of this respirator, ask your employer or call Bullard Technical Support at 877-BULLARD (285-5273).
4. Before using these respirators, be sure your employer has determined that ambient airborne contaminant concentrations do not exceed those allowed by applicable OSHA, MSHA, EPA, NIOSH or ACGIH regulations and recommendations, or any other applicable regulations. Before using the above respirator, Federal law requires that the employer shall identify and evaluate the respiratory hazard(s) in the workplace, and that this evaluation shall include a reasonable estimate of employee exposures to respiratory hazard(s), and an identification of the contaminant's chemical state and physical form.
5. DO NOT wear this respirator if any of the following ambient conditions exist:
 - Atmosphere is immediately dangerous to your life or health (IDLH).
 - You CANNOT escape without the aid of the respirator.
 - Atmosphere contains less than 19.5% oxygen.
 - Work area is poorly ventilated.
 - Unknown contaminants are present.
 - Contaminant concentrations are in excess of regulations or recommendations (as described in item 4 above).
6. There are users, environments and chemicals for which these respirators are not suitable. It is the responsibility of the user and the employer to determine that these respirators are appropriate for the intended use. These respirators should not be used around heat, open flames, sparks or in any potentially flammable or explosive environment. CC20 materials will burn and will melt. DuPont Tychem® spunbonded olefin apparel fabrics have "Class 1 - Normal Flammability" characteristics, as tested according to the Flammable Fabrics Act. "Class 1" fabrics will burn and do not provide thermal protection if a fire or explosion should occur.
CC20 materials may create static electricity under low relative humidity. Surface resistance and charge dissipation are proportional to the amount of antistatic agent on the fabric and the ambient relative humidity. Since the antistatic agent is water soluble, it can be washed off with water. In addition, other clothing items that are not anti-static treated might be a potential source of static formation and discharge. Contact your employer or DuPont at 1-800-44-TYVEK on this material.
7. Bullard recommends that you DO NOT wear these respirators until you have passed a complete physical exam (including a chest x-ray), conducted by qualified medical personnel.
8. Do not modify or alter these respirators in any manner. Use only Bullard PA30 replacement parts. Failure to use Bullard components and replacement parts for use with this respirator invalidates all Bullard warranties, and could result in death or serious injury, lung disease or exposure to other hazardous or life-threatening conditions.
9. Inspect all components of these respirator systems during cleaning and before and after each use for signs of wear, tear or damage that might reduce the degree of protection originally provided. Immediately replace worn or damaged components with Bullard PA30 components, or remove the respirator from service. (See INSPECTION, CLEANING AND STORAGE section for instructions on proper maintenance of PA30 Series respirators.)
10. DO NOT use these respirators in poorly ventilated areas, areas where oxygen is less than 19.5%, or in confined spaces such as tanks, small rooms, tunnels or vessels unless the confined space is well-ventilated and contaminant concentrations are below the upper limit recommended for this respirator. The procedures for confined space entry, operation and exit are defined in applicable regulations and standards, including 29 CFR 1910.146.
11. DO NOT use these respirators for abrasive blasting or underwater diving.
12. DO NOT reach your hand into the hood head cover in atmospheres containing air contaminants. Leave the contaminated area and clean hands before reaching inside the hood.

PA30 Series Tychem® SL Hood User Manual for Hospital Preparedness

WARNING

Failure to heed these warnings could result in death or serious injury.

Use strictly in accordance with instructions, labels and limitations pertaining to the PA30 respirator.

1. The PA30 respirator does not supply oxygen.
2. Use only in adequately ventilated areas containing at least 19.5% oxygen.
3. Do not use when concentrations of contaminants are immediately dangerous to life or health.
4. Do not use these respirators for respiratory protection against abrasive blasting using silica sand as the abrasive.
5. Do not use in circumstances where the airborne concentration level of contaminant exceeds maximum use concentration for this type of respirator as established by regulatory standards.
6. Leave area immediately if:
 - a. Breathing becomes difficult.
 - b. Dizziness or other distress occurs.
 - c. You taste or smell the contaminant.
 - d. Unit becomes damaged.
 - e. Low battery alarm sounds.
7. Use strictly in accordance with instructions, labels and limitations pertaining to the PA30 respirator in use.
8. This apparatus must not be worn with the blower unit switched off. If switched off, a rapid build-up of carbon dioxide and depletion of oxygen may occur, which could result in death or serious injury.
9. Never alter or modify this respirator. Use only Bullard PA30 replacement parts for the PA30 respirator.

Operations

Protection

Respiratory

The PA30 respirator is not designed for use in any atmosphere immediately dangerous to life or health (IDLH), or from which the wearer cannot escape without the aid of the respirator.

Head

PA30 Series respirator hoods with the 20TG or 20RT headband suspension DO NOT provide head protection. If head protection is required, order the 20SICVH model.

The 20SICVH hood, when used with a Bullard model 5100 or 3000 hard hat, meets ANSI Standard Z89.1-1997 Type I, Classes E & G requirements for protective headwear for industrial workers. These hard hats are designed to provide limited head protection by reducing the force of falling objects striking the top of the hard hat shell.

Eyes

PA30 Series respirators DO NOT provide eye protection. Wear approved safety glasses or goggles at all times.

Ears

PA30 Series respirators DO NOT provide hearing protection. Use properly fitted earmuffs, earplugs or other protection when exposed to high noise levels.

PA30 Respirator Assembly Adjusting and Installing Headband Suspension in Hood

(If using 20SICVH model, see page 7.)

1. Size the standard 20TG headband suspension by squeezing top and bottom edges of rear buckle with your thumb and forefinger. Decrease size of headband suspension by sliding band through buckle.
2. Squeeze the buckle to disengage sizing mechanism, and place headband suspension on your head. Continue squeezing buckle while pulling headband suspension down over your head. Headband suspension automatically adjusts to your size and locks when you release your grip (see Figure 3). Headband suspension should feel comfortable and snug.

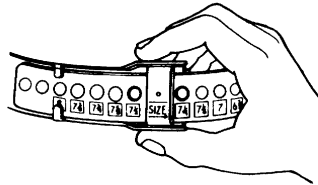


Figure 3



NOTE

If using the optional 20RT ratchet headband suspension, refer to the instruction sheet provided with the 20RT.

Sizing 20RT Ratchet Headband Suspension

Working from inside hood, turn ratchet knob until headband suspension is at its largest size. Place hood on your head and adjust ratchet knob from outside the hood to a comfortable fit. An optional chin strap is available for additional comfort and stability.

3. With clear lens facing you, insert headband suspension into hood with headband suspension snaps facing front.
4. Engage four headband suspension snaps into corresponding snap studs mounted in plastic lens (see Figure 4).

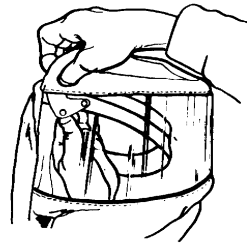


Figure 4

Adjusting Crown Straps for Vertical Fit

To improve the comfort of 20TG and 20RT headband suspensions, adjust the crown straps vertically by repositioning the headband suspension keys in the crown straps. Vertical adjustment makes headband suspension ride higher or lower on the wearer's head. To adjust the crown strap:

1. Remove headband suspension from respirator hood.
2. Rotate crown strap 90° until key dislodges from keyhole (see Figure 5).

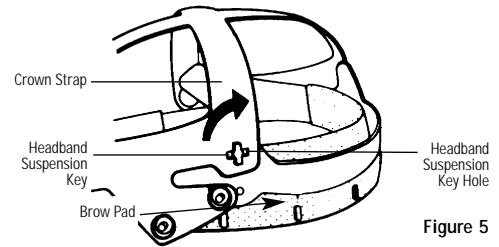


Figure 5

3. Move key to desired vertical position.
4. Rotate crown strap 90° to secure key in keyhole (see Figure 6).



Figure 6

5. Repeat steps 2-4 for other crown strap keys.
6. Reinstall headband suspension into respirator hood, following directions above.

If Using Optional 20NC Chin Strap:

For most wearers, the headband suspension holds the hood in place without a chin strap. If the hood rises off your head during use, a chin strap is recommended (not available on loose-fitting facepiece hoods). Refer to the list of replacement parts and accessories. To install the chin strap:

1. Remove headband suspension from hood.
2. Snap chin strap stud buttons into the holes on each side of the headband suspension, inserting from the inside.
3. Align holes on chin strap to stud buttons and pull downward to lock in place (see Figure 7).

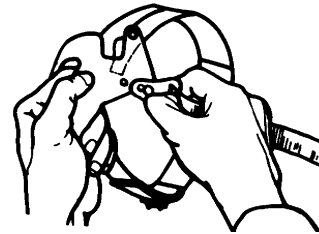


Figure 7

4. Place headband suspension on your head. Adjust chin strap length with the plastic slide.
5. Remove headband suspension from your head. Install headband suspension into respirator hood.

Adjusting and Installing Hard Hat in Respirator Hood*

1. Assemble and adjust the standard Bullard hard hat suspensions TG600 or ES-ULTRA or the optional ratchet suspensions TGRT600 or ESRTSL by following the directions on instruction sheet attached to headband on hard hat. Read all hard hat warning labels and instructions. The following Bullard hard hat models are available for use with PA30 Series respirator hoods: 3000, 3000R, 5100 and 5100R.
2. If desired, install and adjust optional ES42 hard hat chin strap.
3. Before inserting hard hat into hood, remove the two adhesive-backed Velcro® strips attached to the Velcro piece that is sewn into the hood (see Figure 9 & 10).
4. Peel the backing off the longer Velcro tab and apply it to the inside center rear of the hard hat, about 1/4" up from the edge. Apply shorter Velcro tab to the underside of the brim of the hard hat (see Figure 10).
5. Insert hard hat into respirator hood with cap visor facing front of hood (see Figure 8).
6. Tuck cap brim on top of front elastic Velcro band sewn into hood (see Figure 9).
7. Loop the Velcro strip sewn inside the hood around the back of the cap and affix it to the corresponding Velcro tab previously installed inside the hard hat in step 4 (see Figure 10).

* 20SICVH model respirator hoods require a hard hat.



Figure 8

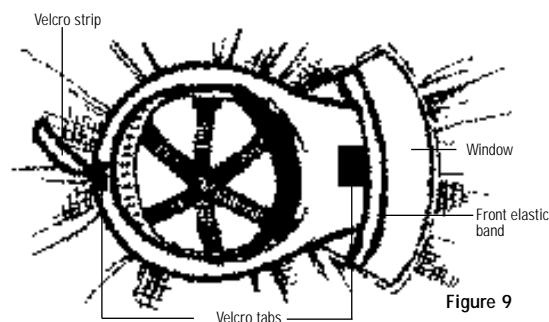


Figure 9

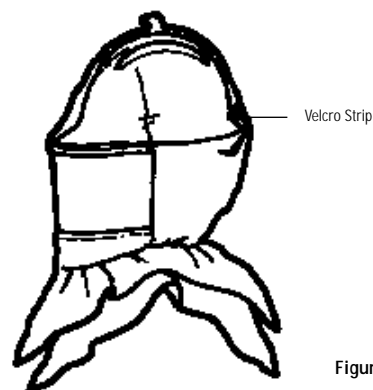


Figure 10

Installing Breathing Tube Assembly in PA30 Respirator Hoods

1. Remove nylon clamp from plastic anchor plate on hood (see Figure 11).

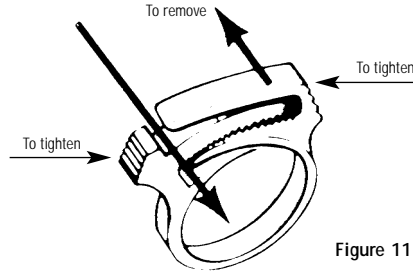


Figure 11

2. Insert the open end of the breathing tube approximately five inches into hood's air entry sleeve (see Figure 12).

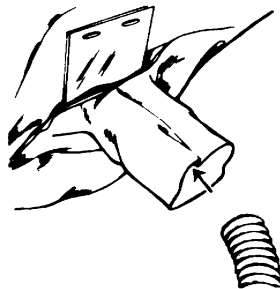


Figure 12

3. Install nylon clamp over air entry sleeve and breathing tube, inserting clamp locks through two holes in plastic anchorplate that is sewn into hood. Locks should face away from user's neck (see Figure 13).

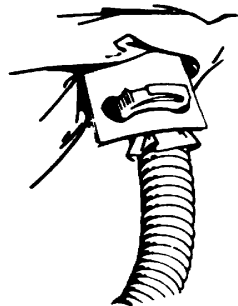


Figure 13

4. Engage clamp locks and squeeze together until tight.
5. Attach other end of PA3HPBT breathing tube to the blower unit by screwing the adapters together.

PA30 Series Hood Use

⚠ WARNING

Do not put on or remove these respirators in a hazardous atmosphere except for emergency escape purposes. Failure to heed these warnings could result in death or serious injury.

1. Position headband suspension or hard hat for a comfortable fit. (See instructions on page 13 for proper sizing).
2. If using an optional chin strap, pull elastic strap under your chin. Adjust for a secure and comfortable fit.
3. Tuck inner bib of hood into shirt or protective clothing for additional splash and overspray protection (see Figure 14).
4. Pull respirator outer bib over collar of shirt or protective clothing. Pull the long outer bib down on the outside of clothing and tie at the sides.
5. With air flowing into your respirator, you are now ready to enter work area.

Donning and Removing the PA30 Respirator

Refer to the Pre-Operational Inspection and Donning Instructions in the Bullard PA3H Blower Assembly User Manual.

To don the hood after donning blower (see PA3H Blower Assembly User Manual)



Figure 14

Inspection, Cleaning and Storage Hood and Headband Suspension

WARNING

Failure to heed these instructions could result in death or serious injury.

LEAVE WORK AREA IMMEDIATELY IF:

- Any respirator component becomes damaged
- Airflow into respirator hood stops or slows down
- PA30 Respirator low battery alarm sounds
- Breathing becomes difficult
- You become dizzy, nauseous, too hot, too cold, or ill
- You taste, smell, or see contaminants inside respirator hood
- Your vision becomes impaired

WARNING

Do not store respirator in your work area or leave it unattended in a contaminated environment. Respirable contaminants can remain suspended in the air for more than one hour after work activity ceases, even though you may not see them. Proper work practice requires you to wear the respirator until you are outside the contaminated area. If you place or store the respirator in a contaminated environment, contaminants, dirt, and dust could get into the respirator. When you put the respirator back on, you could breathe in contaminants upon reuse. Failure to heed these instructions could result in death or serious injury.

Bullard PA30 Series respirators have a limited service life. Therefore, a regular inspection and replacement program must be conducted.

The Bullard PA30 Series respirators and all component parts and assemblies should be inspected for damage or excessive wear before and after each use to ensure proper functioning. Immediately remove the respirator from service and replace parts or assemblies that show any sign of failure or excessive wear that might reduce the degree of protection originally provided.

Use only Bullard PA30 replacement parts.

Since respirator use and the quality of maintenance performed vary with each job site, it is impossible to provide a specific time frame for respirator replacement.

Inspect all components of this respirator system during cleaning and before and after each use for signs of wear, tear or damage that might reduce the degree of protection originally provided. Respirators used by more than one person must be cleaned, inspected and sanitized after each use. If not cleaned, contamination may cause illness or disease.

WARNING

The air you breathe will not be clean unless the respirator you wear is clean. Failure to heed this warning could result in death or serious injury.

Inspection

Inspect the hood material for rips, tears, or damage from excessive wear that might reduce the degree of protection originally provided. Inspect the inner neck cuff for elasticity. The respirator's plastic lens should be inspected for cracks, scratches or any other signs of damage.

Disassemble the breathing tube from the hood by removing the nylon hose clamp. To remove the hose clamp, slide the locks sideways in opposite directions.

Remove the headband suspension and optional chin strap from the hood. Inspect headband suspension for cracks, frayed or cut crown straps, torn headband or size adjustment slots, loss of pliability, or other signs of excessive wear. Check the chin strap for loss of elasticity, cuts, and cracked hanger clips.

If damage is detected, replace immediately with Bullard replacement part(s) or remove the respirator from service.

Cleaning

Bullard does not recommend laundering the hood. When the hood becomes dirty, it should be discarded and replaced. The respirator's plastic lens, headband suspension, and optional chin strap should be hand-sponged with warm water and mild detergent, rinsed, and air-dried. After cleaning and before reassembling, once again carefully inspect parts for signs of damage.

CAUTION

Do not use volatile solvents for cleaning this respirator or any parts and assemblies. Strong cleaning and disinfecting agents, and many solvents, can damage the plastic parts and reduce the protective properties of the respirator. Failure to heed these instructions may result in minor or moderate injury and/or equipment damage.

Hard Hat

Inspection

Inspect the hard hat shell for nicks, gouges, cracks, and any damage due to impact, rough treatment, or wear.

Remove the headband suspension and optional chin strap from the hard hat. Inspect the headband suspension for cracks, frayed or cut crown straps, torn headband and size adjustment slots, loss of pliability or other signs of excessive wear. Check the chin strap for loss of elasticity, cuts, and cracked hanger clips.

If damage is detected, replace part(s) immediately with Bullard replacement parts or remove the hard hat from service.

Cleaning

The hard hat shell, headband suspension, and optional chin strap should be hand cleaned with warm water and mild detergent, rinsed and air-dried. After cleaning and before reassembling, once again carefully inspect parts for signs of damage.

Breathing Tube

Inspection

Inspect the breathing tube for tears, cracks, holes, or excessive wear that might reduce the degree of protection originally provided. If any signs of excessive wear are present, replace the breathing tube immediately or remove the respirator from service.

Cleaning

To clean the breathing tube, hand-sponge with warm water and mild detergent, being careful not to get water inside. Rinse and air-dry. After cleaning, once again carefully inspect breathing tube for signs of damage.

Storage

After reusable respirator components have been cleaned and inspected, place them in a plastic bag or an airtight container.

Store the respirator and parts where they will be protected from contamination, distortion and damage from elements such as dust, direct sunlight, heat, extreme cold, excessive moisture and harmful chemicals.

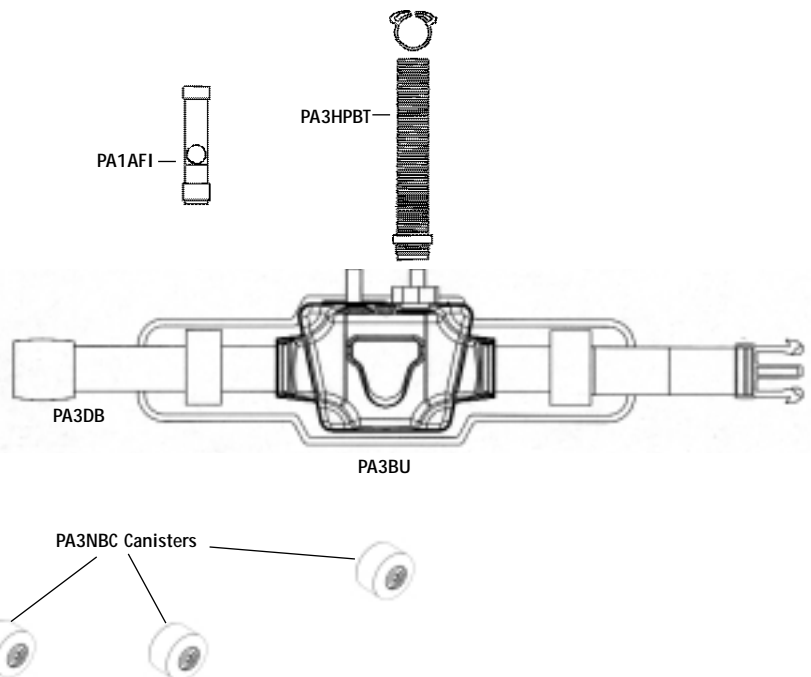
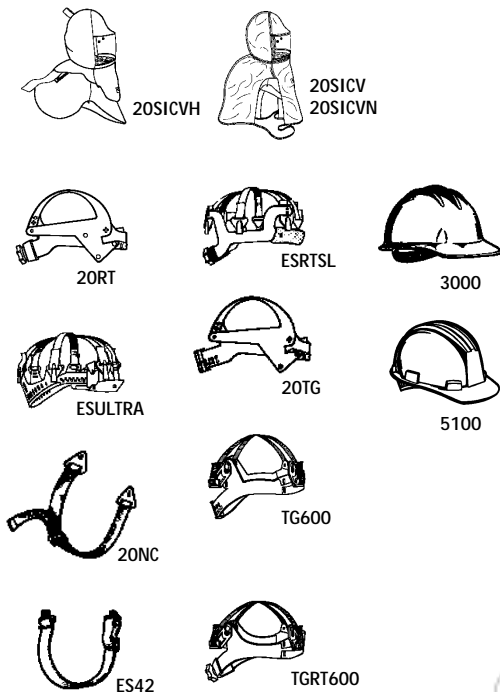
Refer to the or PA3H Blower Assembly User Manual for additional Inspection, Cleaning and Storage Instructions.

PA30 Series Tychem® SL Hood User Manual for Hospital Preparedness

Parts and Accessories for PA30 Series Powered Air-Purifying Respirators

PA30 respirators consist of four components – respirator hood, headband suspension or head protection (hard hat), blower assembly, and canister. The PA3H blower assembly is sold with the belt and air flow indicator. Breathing tube, battery and charger are sold separately.

| CATALOG NUMBER | DESCRIPTION | CATALOG NUMBER | DESCRIPTION |
|---|---|---|--|
| Respirator Hoods | | PA30 Respirator System | |
| Hood with inner bib, for use with Bullard hard hat | | PA30PREP | Hospital preparedness PAPR system. Includes PA3H Blower Assembly, PA3HPBT Breathing Tube, 20SICVN Tychem SL hood, 20RT Ratchet Suspension, PA3SMC Charger, and set of 3 PA3NBC Canisters |
| 20SICVH | Tychem SL, with taped and sealed seams, pressed polished vinyl lens, hard hat not included | Blower Assembly | |
| Hood with inner bib and long outer bib, for use with headband suspension | | PA3H | Blower with internal voltage alarm. Includes vinyl decon belt and air flow indicator. Breathing tube, battery and charger sold separately. |
| 20SICV | Tychem SL, with taped and sealed seams, pressed polished vinyl lens, and 20TG headband suspension | Battery Chargers for PA3 Blower Assembly | |
| 20SICVN | Tychem SL, with taped and sealed seams, pressed polished vinyl lens, no headband suspension | PA3SMC | Quick charger for PA3/PA5 (2 ports) |
| Headband Suspensions and Hard Hats | | PA3GC | Tabletop Gang Charger for PA3BP (6 ports) |
| 20TG | Standard headband suspension | PA30 Accessories/Replacement Parts | |
| 20RT | Sure-Lock® ratchet headband suspension | PA1DB | Decon belt/lumbar |
| 3000 | Hard hat with standard suspension, white | PA1DEB | Extension decon belt kit |
| 3000R | Hard hat with ratchet suspension, white | PA1AFI | Air Flow Indicator |
| 5100 | Hard hat with standard suspension, white | PA3HPBT | Breathing tube assembly (tube/clamp) with Tychem SL cover |
| 5100R | Hard hat with ratchet suspension, white | PA1BTS | Breathing Tube seal |
| Accessories for Headbands Suspension and Hard Hats | | PA3BU | PA3 Blower housing unit, motor, and impeller |
| ESULTRA | Standard replacement suspension for 3000 hard hat | PA3BP | Battery Pack (4 hr. Capacity) |
| ESRTSL | Replacement ratchet suspension for 3000R hard hat | PA3BPC | Battery Port Cover |
| TG600 | Standard replacement suspension for 5100 hard hat | 20SLBTC | Tychem SL Breathing Tube Cover |
| TGRT600 | Replacement ratchet suspension for 5100R hard hat | | |
| 20NC | Chin strap for 20TG and 20RT headband suspension | | |
| ES42 | Chin strap for 3000 and 5100 hard hats | | |





Head
Protection



Respiratory
Protection



Fire and Rescue
Safety



Thermal
Imaging

Return Authorization

The following steps must be completed before Bullard will accept any returned goods. Please read carefully.

Follow the steps outlined below to return goods to Bullard for repair or replacement under warranty or for paid repairs:

1. Contact Bullard Technical Support by telephone or in writing at:

Bullard

1898 Safety Way
Cynthiana, KY 41031-9303
Toll-free: 877-BULLARD (285-5273)
Phone: 859-234-6616

In your correspondence or conversation with Technical Support, describe the problem as completely as possible. For your convenience, your technical support specialist will try to help you correct the problem over the phone.

2. Verify with your technical support specialist that the product should be returned to Bullard. Technical Support will provide you with written permission and a return authorization number as well as the labels you will need to return the product.
3. Before returning the product, decontaminate and clean it to remove any hazardous materials which may have settled on the product during use. Laws and/or regulations prohibit the shipment of hazardous or contaminated materials. Products suspected to be contaminated will be professionally discarded at the customer's expense.
4. Ship returned products, including those under warranty, with all transportation charges pre-paid. Bullard cannot accept returned goods on a freight collect basis.
5. Returned products will be inspected upon return to the Bullard facility. Bullard Technical Support will telephone you with a quote for required repair work which is not covered by warranty. If the cost of repairs exceeds stated quote by more than 20%, your technical support specialist will call you for authorization to complete repairs. After repairs are completed and the goods have been returned to you, Bullard will invoice you for actual work performed.



Bullard
1898 Safety Way
Cynthiana, KY 41031-9303
Toll free: 877-BULLARD (285-5273)
Tel: 859-234-6616
Fax: 859-234-8987
www.bullard.com

Bullard GmbH
Hochkreuzallee 36
53175 Bonn-Bad Godesberg
Germany
Tel: +49 228 931933 0
Fax: +49 228 931933 50

©2003 Bullard. All rights reserved.
"It's Your Life and You're Worth It" is a trademark of Bullard.
Tychem is a registered trademark of E.I. DuPont de Nemours & Company.
Velcro is a registered trademark of Velcro USA.

6081506399(0703)